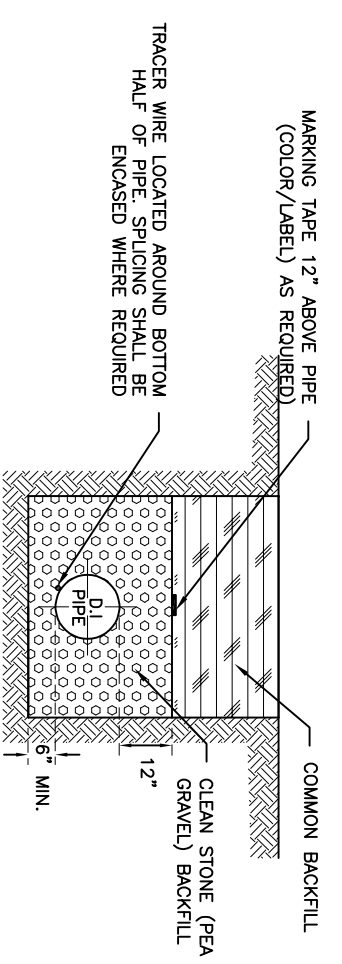
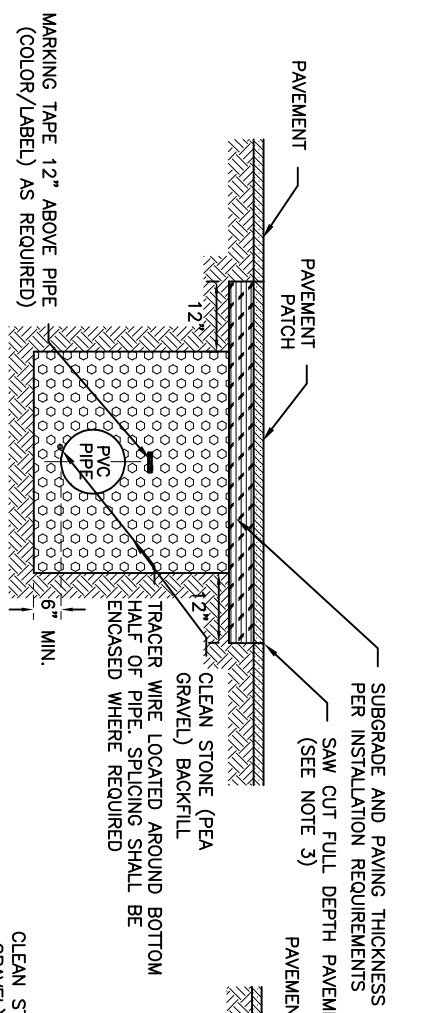


PVC - ROCK/SOIL
FOR AREAS NOT TO BE PAVED

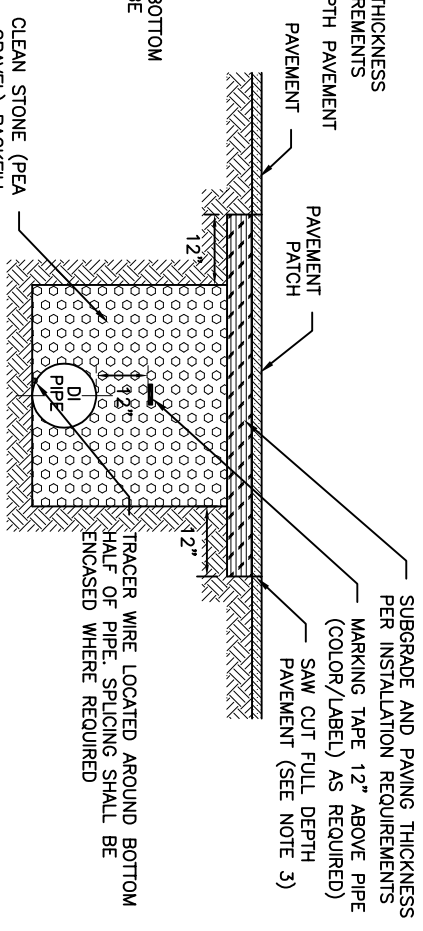
D.I. - SOIL
FOR AREAS NOT TO BE PAVED



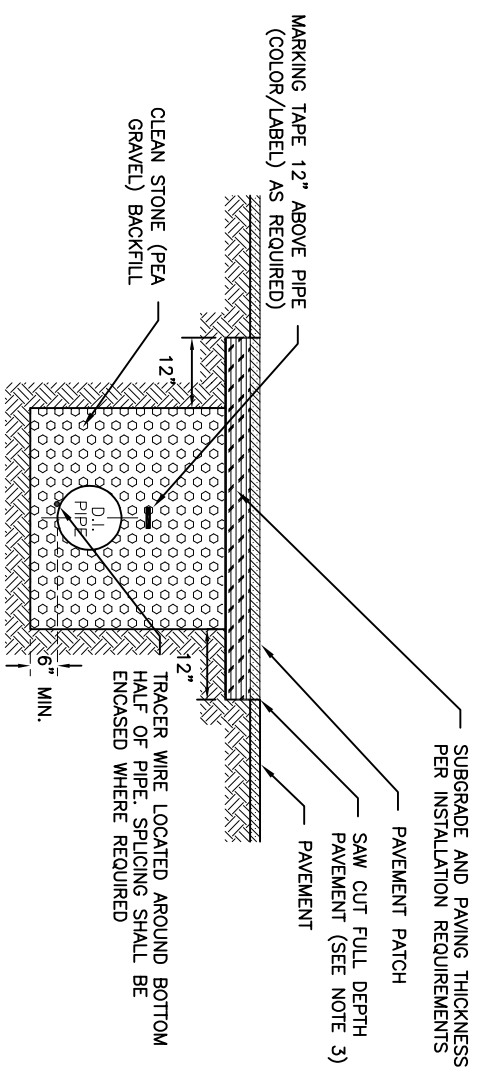
D.I. - ROCK
FOR AREAS NOT TO BE PAVED



PVC - ROCK/SOIL
FOR PAVED AREAS OR AREAS TO BE PAVED OR WITHIN 18" OF PAVING



D.I. - SOIL
FOR PAVED AREAS OR AREAS TO BE PAVED OR WITHIN 18" OF PAVING



D.I. - ROCK
FOR PAVED AREAS OR AREAS TO BE PAVED OR WITHIN 18" OF PAVING

- GENERAL NOTE:
1. CAUTION MUST BE EXERCISED TO ENSURE PROPER PLACEMENT OF EMBEDMENT MATERIAL UNDER THE HAUNCHES OF THE PIPE.
 2. POLYETHYLENE ENCASING ON ALL D.I. PIPE, FITTINGS, VALVES & APPURTENANCES.
 3. IF EDGE OF SAW CUT IS \leq 4LF FROM CURB LINE, REMOVE PAVEMENT TO CURB.
 4. STONE BACKFILL TO BE MECHANICALLY COMPACTED IN 6"-12" LIFTS.
 5. REFER SPECIFICATION SECTIONS FOR DESCRIPTION OF BACKFILL AND BEDDING MATERIAL.
 6. TYPICAL TRENCH WIDTH SHALL BE PIPE O.D.+2.

REVISIONS	AMERICAN WATER MILITARY SERVICES GROUP CIVIL TRENCH RESTORATION DETAIL
7/12 - MSG EDITS	AMERICAN WATER MILITARY SERVICES GROUP CAMDEN, NJ 08102
12/13 - MSG EDITS	
1/16 - MSG EDITS	
1/20 - MSG EDITS	

AMERICAN WATER M.S.G.
1 CAMDEN, NJ 08102

DRAWN BY PDK
PROJECT ENGR PDK
APPROVED

DATE 05-17-2010
PROJECT N/A
SCALE N.T.S.

AMERICAN WATER
MILITARY SERVICES GROUP
CAMDEN, NJ 08102

USE APPROVED DRAWINGS ONLY
FOR CONSTRUCTION PURPOSES

MSG-ST-02-LB