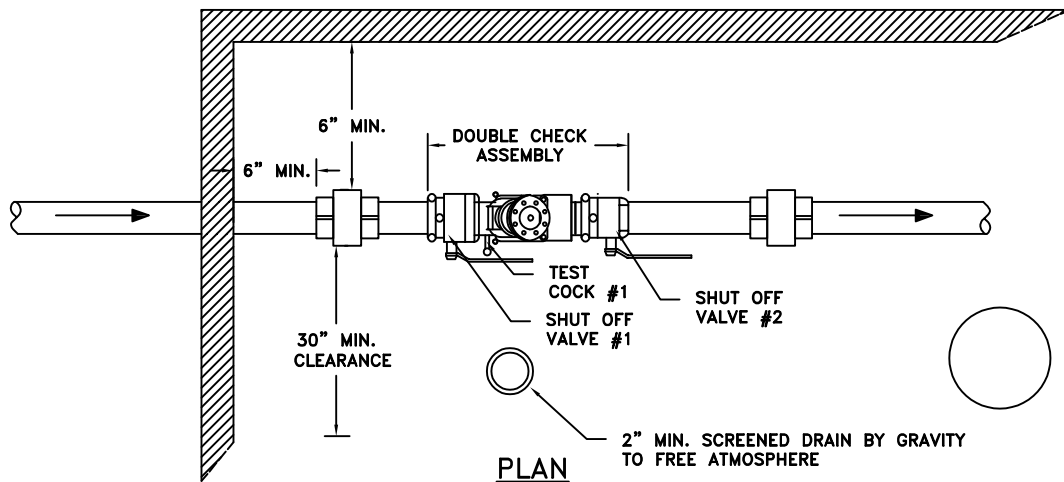


ELEVATION



PLAN

## 3/4"–2" DOUBLE CHECK VALVE BACKFLOW PREVENTER–INTERIOR

**NOTE:**

1. AW APPROVED DCVA INCLUDES SHUT OFF VALVES #1 AND #2 AS PART OF THE ASSEMBLY. NO SUBSTITUTIONS SHALL BE PERMITTED.
2. PROVIDE ADDITIONAL ISOLATION VALVES ON EITHER SIDES OF THE BACKFLOW DEVICE AS DIRECTED BY AW PROJECT MANAGER.
3. ASSEMBLIES SHALL BE INSTALLED UPRIGHT AND IN THE HORIZONTAL POSITION.
4. PROVIDE STRAINER WHEN DIRECTED BY AW PROJECT MANAGER.
5. BFP ASSEMBLY SHALL NOT BE SUBJECT TO FLOODING.
6. BFD ASSEMBLY SHALL BE READILY ACCESSIBLE PER THE UFC.

REVISIONS
01/16 – MSG EDITS
11/22 – MSG EDITS
12/23 – MSG EDITS

AMERICAN WATER STANDARD  
CIVIL  
BACKFLOW PREVENTER–INTERIOR  
3/4"–2" DOUBLE CHECK VALVE

AMERICAN WATER MILITARY SERVICES GROUP  
CAMDEN, NJ 08102

AMERICAN WATER M.S.G.  
1 WATER STREET  
CAMDEN, NJ 08102



DRAWN BY JRQ  
PROJECT ENGR PDK  
APPROVED

DATE 12–06–11  
PROJECT IP

USE DIMENSIONS ONLY  
SCALE N.T.S.

USE APPROVED DRAWINGS ONLY  
FOR CONSTRUCTION PURPOSES

MSG–W–19

FINAL

MSG–W–19