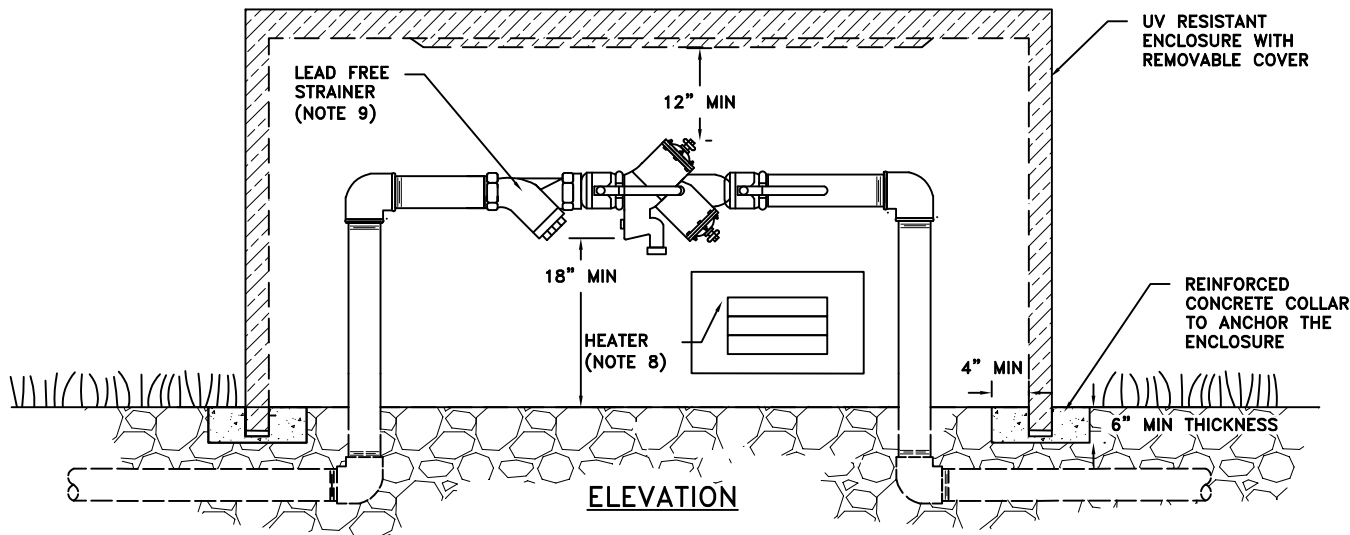


PLAN



ELEVATION

## 3/4" - 2" REDUCED PRESSURE ASSEMBLY BACKFLOW PREVENTER

**NOTES:**

1. RP'S ASSEMBLY MUST BE INSTALLED ABOVE NATURAL GROUND AND SHALL NOT BE SUBJECT TO FLOODING.
2. ACCESS DOORS SHALL BE ABOVE THE CENTERLINE OF THE ASSEMBLY OR ON SIDE OF ABOVE-GROUND UV RESISTANT ENCLOSURE.
3. RP'S SHALL ALWAYS BE INSTALLED ABOVE THE 100 YEAR FLOOD LEVEL UNLESS OTHERWISE APPROVED BY AW.
4. RELIEF VALVES SHALL NOT BE PLUGGED OR EXTENDED.
5. PROVIDE PROTECTION FROM FREEZING.
6. BRASS OR PLASTIC PLUGS SHALL BE PROVIDED IN ALL TEST PORTS.
7. MINIMUM CLEARANCES FOR ASSEMBLIES 2 INCHES AND SMALLER MAY BE REDUCED PROVIDED IT IS ACCESSIBLE FOR TESTING AND REPAIR AND APPROVED BY AW.
8. PROVIDE HEATER WHEN DIRECTED BY AW PROJECT MANAGER.
9. PROVIDE STRAINER WHEN DIRECTED BY AW PROJECT MANAGER.
10. PROVIDE CONCRETE COLLAR AROUND THE ENCLOSURE WHEN DIRECTED BY AW PROJECT MANAGER.
11. PROVIDE TWO TO FOUR BOLLARDS AROUND ENCLOSURES IN HIGH TRAFFIC AREAS WHEN DIRECTED BY AW PROJECT MANAGER.
12. ASSEMBLY SHALL BE READILY ACCESSIBLE PER THE UFC.

<b>REVISIONS</b> 01/17 - MSG EDITS 11/22 - MSG EDITS	<b>AMERICAN WATER STANDARD CIVIL</b> <b>3/4" - 2" REDUCED PRESSURE ASSEMBLY (RPZ) BACKFLOW PREVENTER-EXTERIOR</b>
	AMERICAN WATER MILITARY SERVICES GROUP CAMDEN, NJ 08102
	AMERICAN WATER M.S.G. 1 WATER STREET CAMDEN, NJ 08102
	<b>AMERICAN WATER.</b>
	DRAWN BY JRQ PROJECT ENG'R PDK APPROVED
	DATE 12-06-11 PROJECT IP
	USE DIMENSIONS ONLY SCALE N.T.S.
	USE APPROVED DRAWINGS ONLY FOR CONSTRUCTION PURPOSES
	<b>MSG-W-21</b>